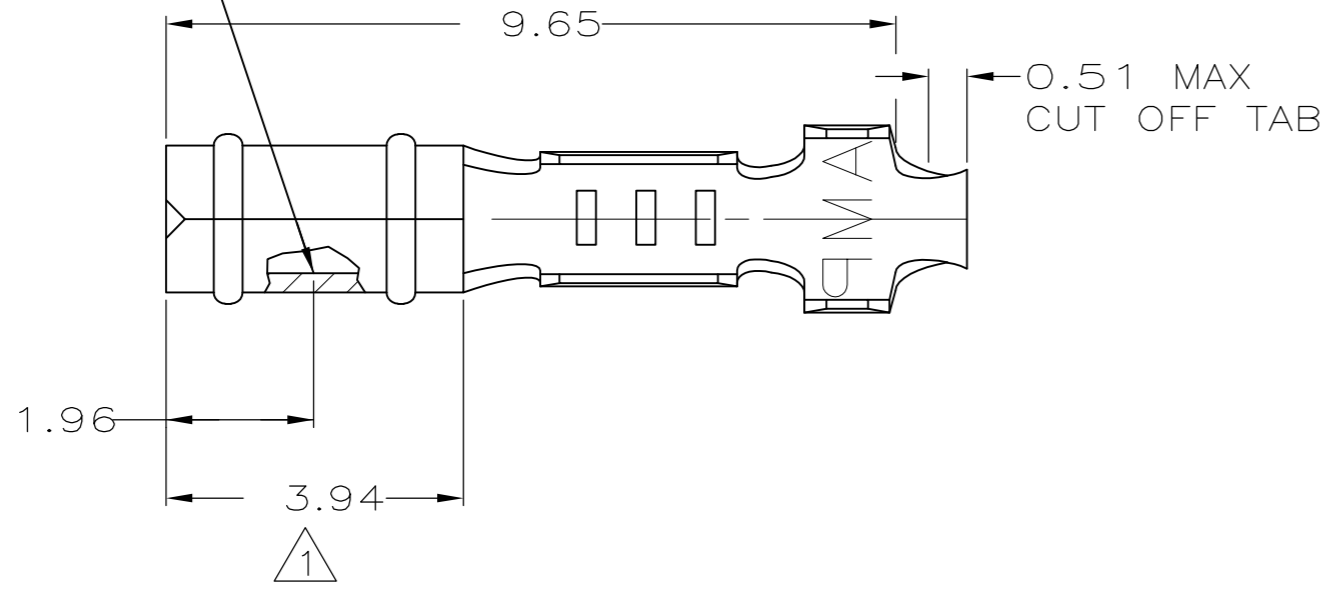


THIS DRAWING IS UNPUBLISHED. RELEASED FOR PUBLICATION  
 © COPYRIGHT - By - ALL RIGHTS RESERVED.

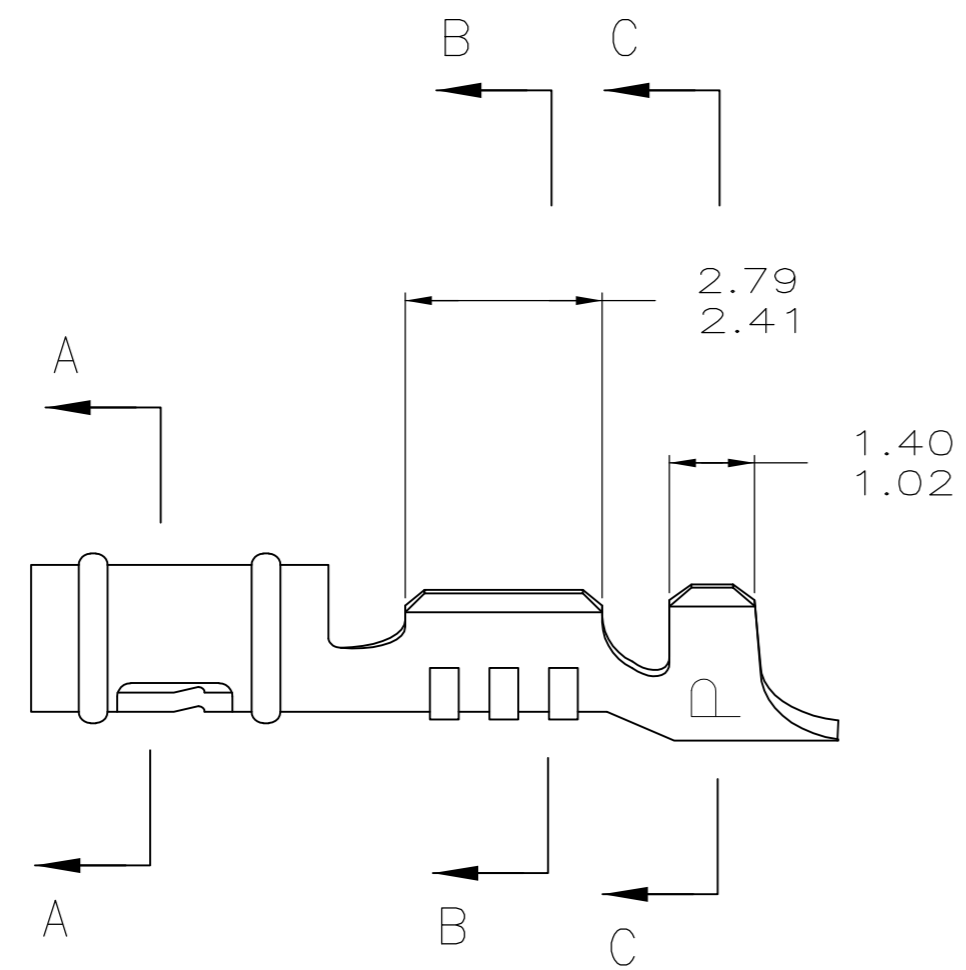
LOC	DIST	REVISIONS					
CM	52	P	LTR	DESCRIPTION	DATE	DWN	APVD
		Z1		REVISED PER ECO-11-004917	11MAR11	RK	HMR

- ⚠ 0.00076 MIN SELECTIVE GOLD PLATING ON INSIDE OF RECEPTACLE OVER NICKEL OVER ALL UNDERPLATE.
- 2. WIRE RANGE: 0.12 - 0.4 MM<sup>2</sup> (26 - 22 AWG)
- 3. INSULATION RANGE: 0.89 - 1.65

POINT OF MEASUREMENT  
 ⚠ 90° FROM SEAM



SECTION A-A



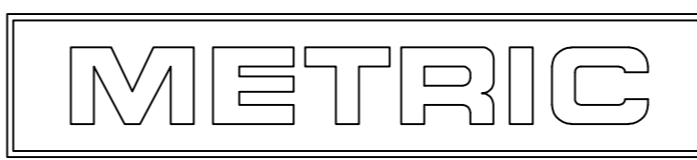
SECTION B-B

SECTION C-C

MATTE TIN	0.25 BE COPPER	60983-4
⚠	0.25 BE COPPER	60983-3
PRE-TIN	0.25 PH BRZ	60983-2
⚠	0.25 PH BRZ	60983-1
FINISH	MATERIAL	PART NUMBER

1.02	.040	1.65	.065	2.67	.105	-	-
0.89	.035	1.63	.064	2.41	.095	-	-
0.51	.020	1.486	.0585	2.29	.090	-	-
0.25	.010	1.47	.058	2.06	.081	9.65	.380
0.13	.005	1.40	.055	1.96	.077	3.94	.155
0.00076	.000030	1.359	.0535	1.91	.075	2.79	.110
MM	IN	MM	IN	MM	IN	MM	IN

CONVERSION TABLE



THIS DRAWING IS A CONTROLLED DOCUMENT.

DIMENSIONS:	TOLERANCES UNLESS OTHERWISE SPECIFIED:	DWN	T. BECK	6-11-97	 TE Connectivity		
mm	0 PLC ± -	CHK	R. SWING	6-11-97			
	1 PLC ± -	APVD	A. BEDDICK	6-17-97			
	2 PLC ± 0.13	PRODUCT SPEC	108-1025				
MATERIAL	FINISH	APPLICATION SPEC	114-1008	SIZE	CAGE CODE	DRAWING NO	RESTRICTED TO
SEE TABLE	SEE TABLE	WEIGHT	-	A2	00779	C-60983	-
CUSTOMER DRAWING			SCALE	10:1	SHEET	1 OF 1	REV
							Z1